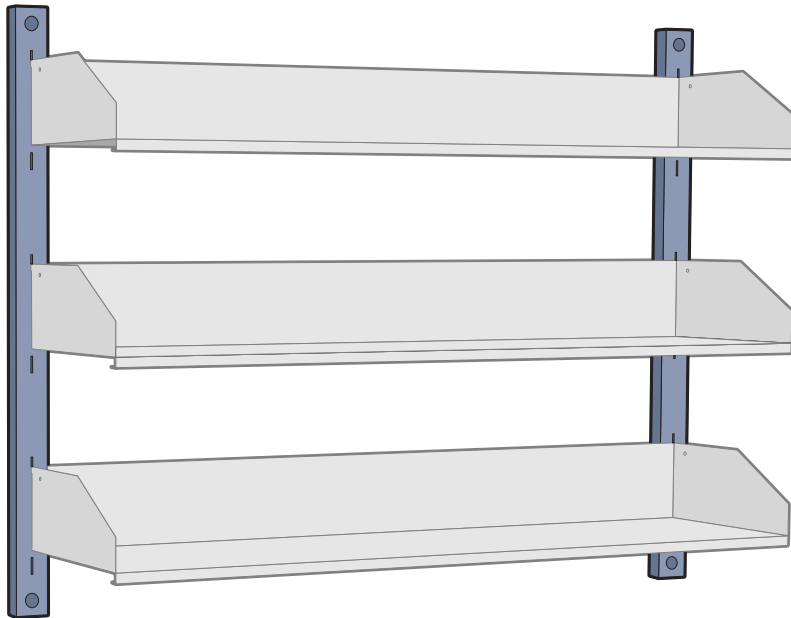


WALL STANDARDS



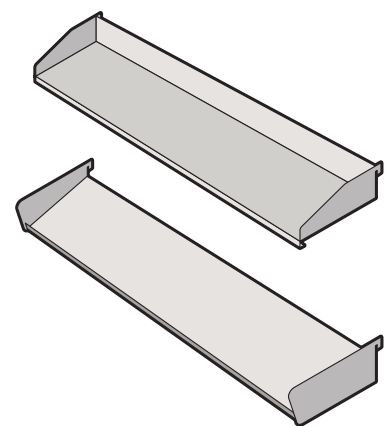
Standard horizontal steel shelves have a stiffener formed downward to create a fully flat surface. The stiffener can also be formed upward to create a front shelf retainer.

Wall Standards - Used for wall mounting our steel shelves.

Shown are two 36" high Wall Standards(WS-36-W) and three 48" wide shelves(IS-4812-H)

Height	18"	24"	30"	36"	48"	72"
Part #	WS-18-W	WS-24-W	WS-30-W	WS-36-W	WS-48-W	WS-72-W

Single Shelves - Can be used with Wall Standards or Teclab's Cabinet Mounted Shelving (SUS).



	30" shelf (28" actual)	36" wide (34" actual)	42" wide (40" actual)	48" wide (46" actual)
Standard horizontal shelf (12" deep)	IS-1230-H	IS-1236-H	IS-1242-H	IS-1248-H
Angled shelf (12" deep)	IS-1230-A	IS-1236-A	IS-1242-A	IS-1248-A