

APRON DRAWERS

Laboratory style Apron Drawers utilize the standard “A” size Base Cabinet drawer in the six available widths. All Apron Drawers are manufactured to accept locks. Manufactured and finished to the same rigid specifications as the Base Cabinets.

WAPD-18

Case:

18" wide x 5" high x 22" deep.

Drawer Inside Dimensions:

13 ⁷/₈" wide x 2" high x 19 ¹/₂" deep.

Weight Capacity: 75lbs.

WAPD-24

Case: 24" wide x 5" high x 22" deep.

Drawer Inside Dimensions:

19 ⁷/₈" wide x 2" high x 19 ¹/₂" deep.

Weight Capacity: 75lbs.

WAPD-30

Case:

30" wide x 5" high x 22" deep.

Drawer Inside Dimensions:

25 ⁷/₈" wide x 2" high x 19 ¹/₂" deep.

Weight Capacity: 75lbs.

WAPD-36

Case:

36" wide x 5" high x 22" deep.

Drawer Inside Dimensions:

31 ⁷/₈" wide x 2" high x 19 ¹/₂" deep.

Weight Capacity: 75lbs.

WAPD-42

Case:

42" wide x 5" high x 22" deep.

Drawer Inside Dimensions:

37 ⁷/₈" wide x 2" high x 19 ¹/₂" deep.

Weight Capacity: 75lbs.

WAPD-48

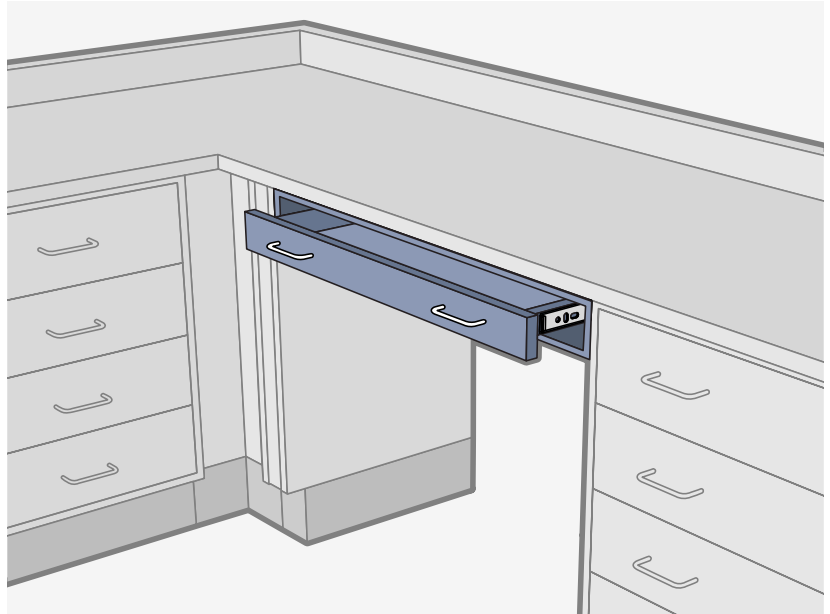
Case:

48" wide x 5" high x 22" deep.

Drawer Inside Dimensions:

43 ⁷/₈" wide x 2" high x 19 ¹/₂" deep.

Weight Capacity: 75lbs.



Drawers can be removed using latches on drawer slides.

