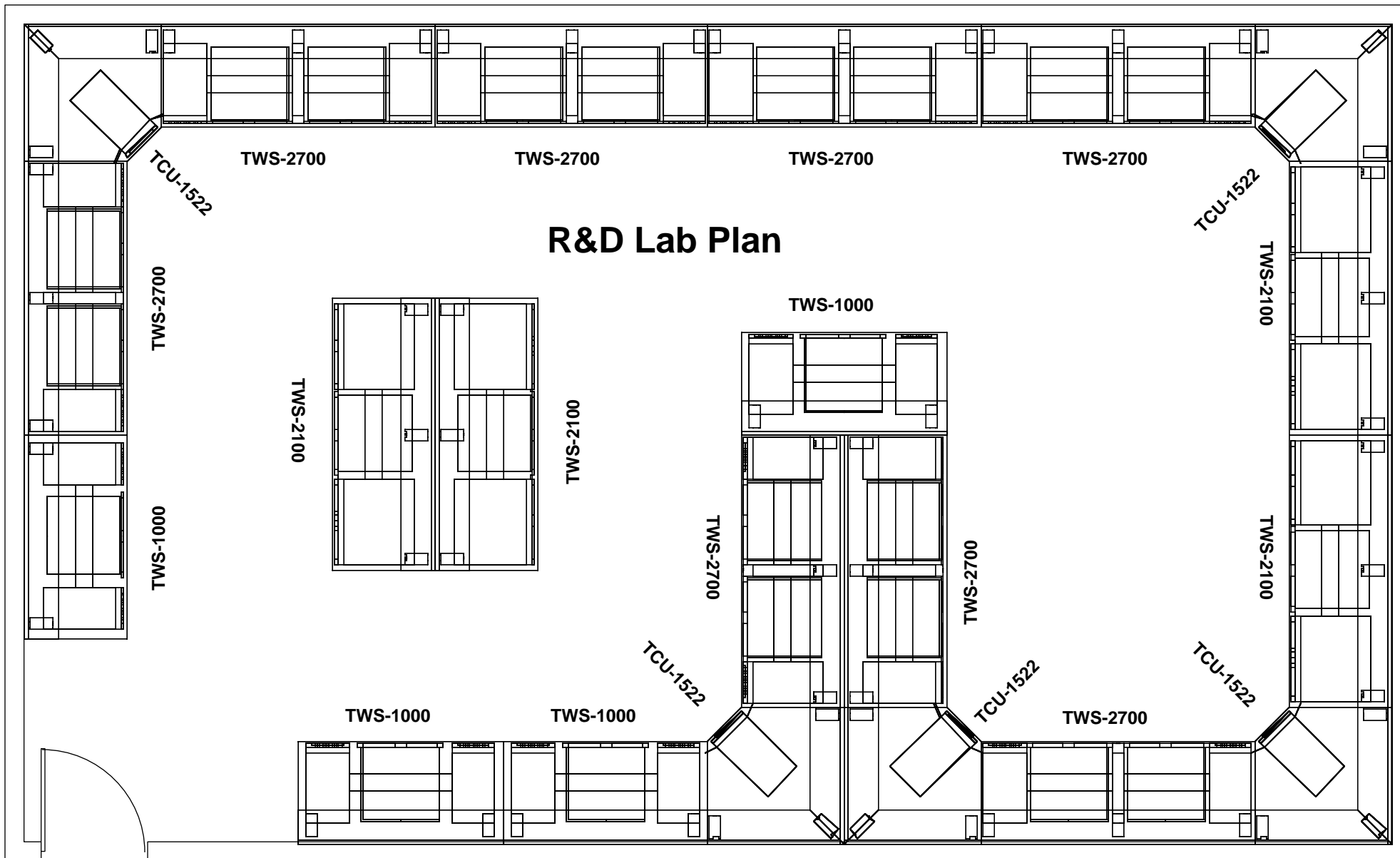
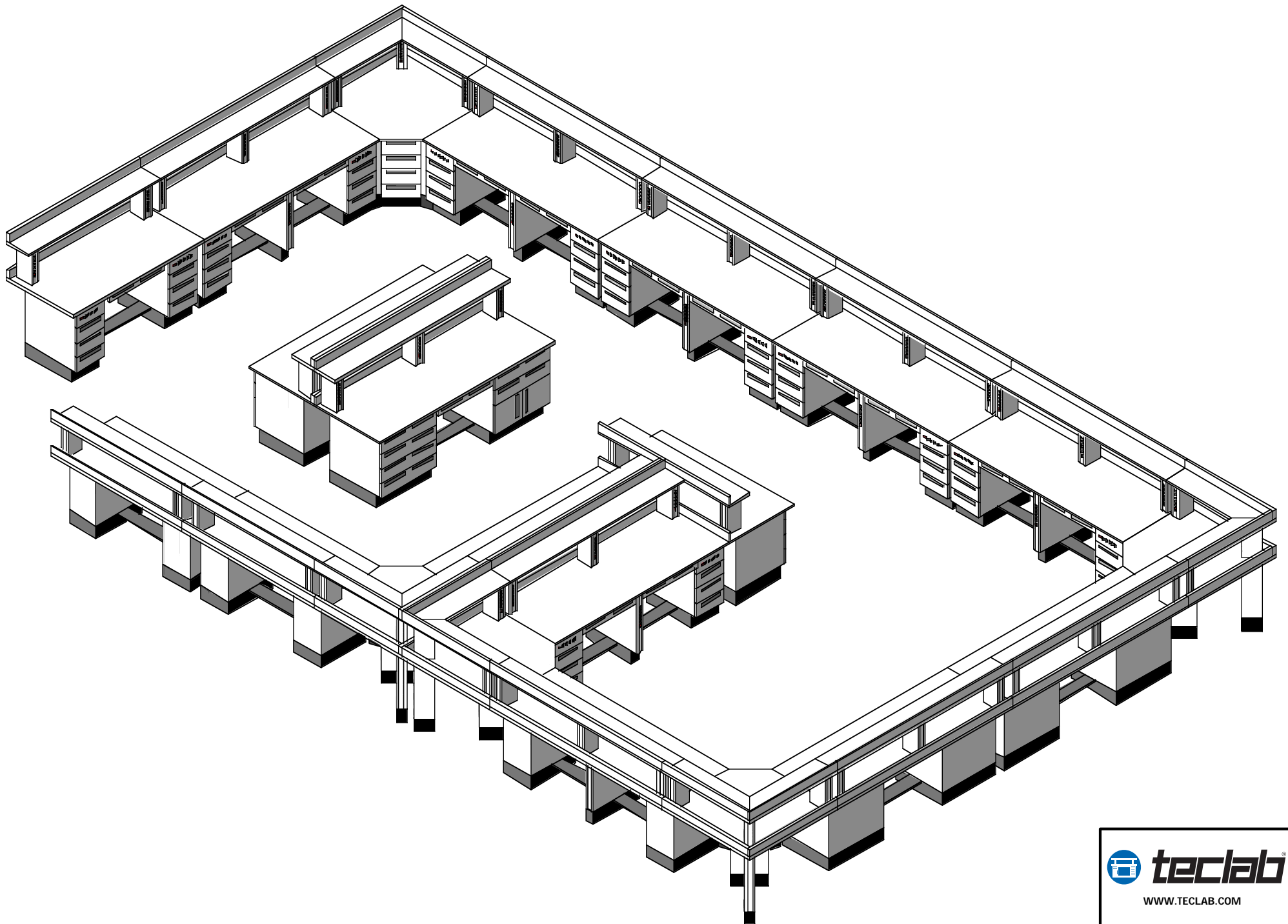
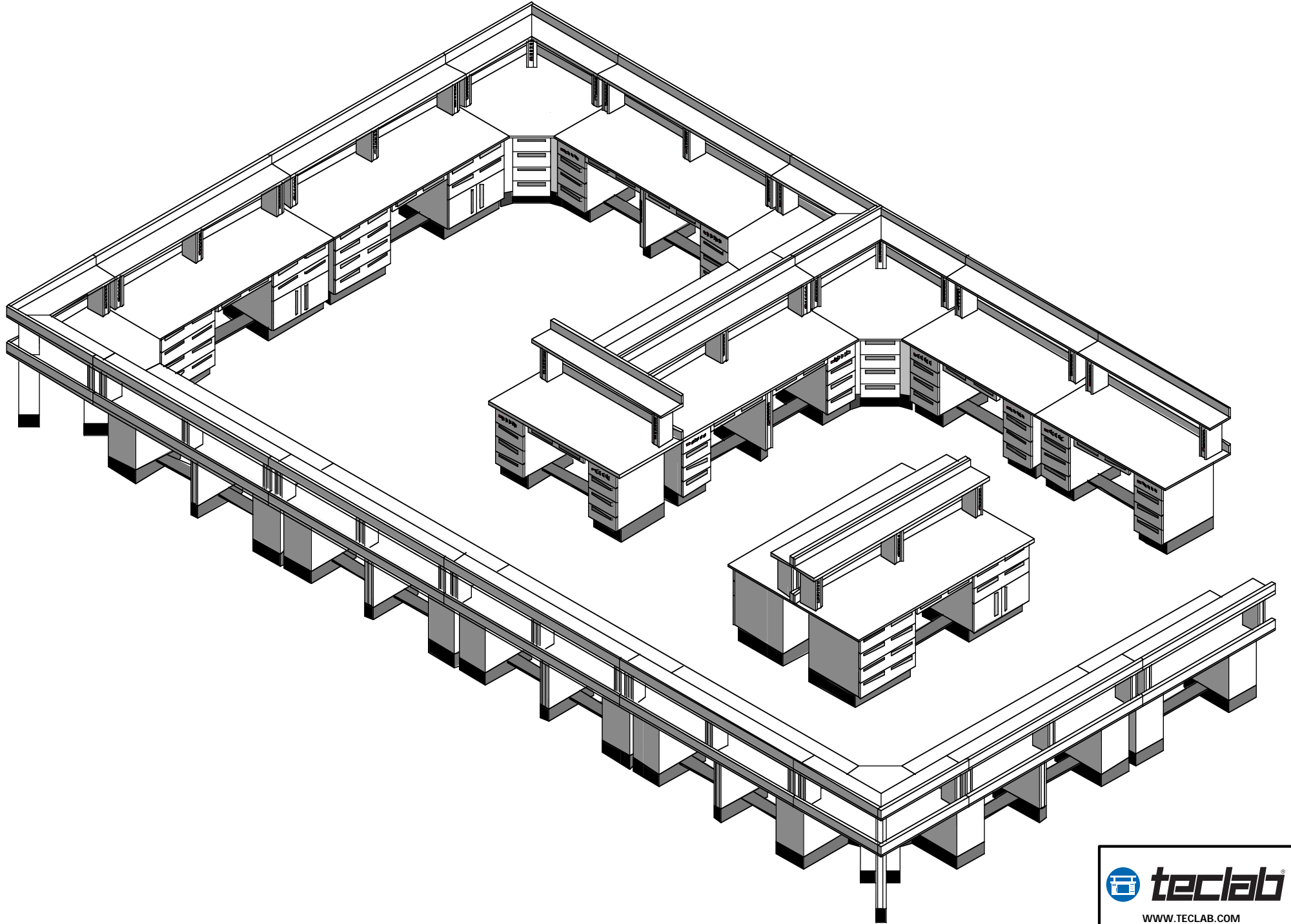
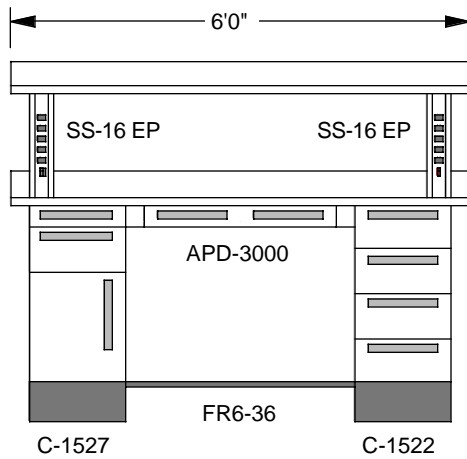


R&D Lab Plan

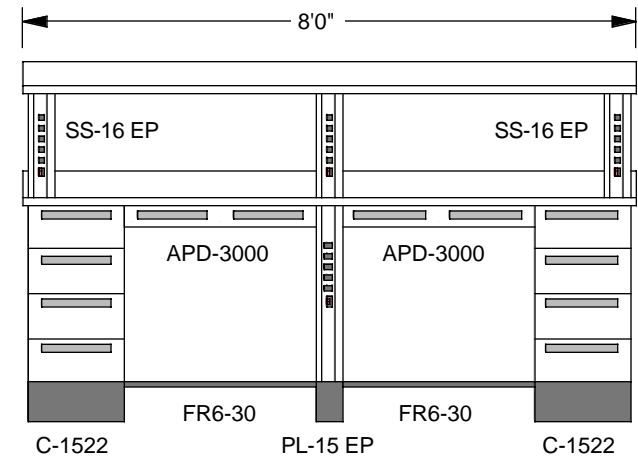
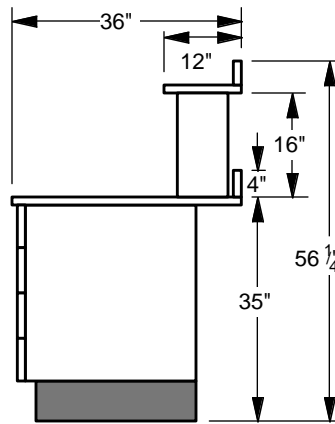




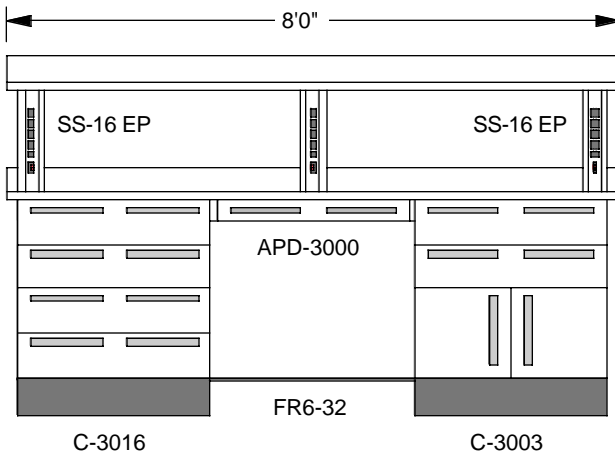
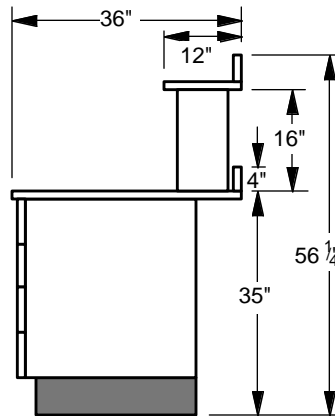




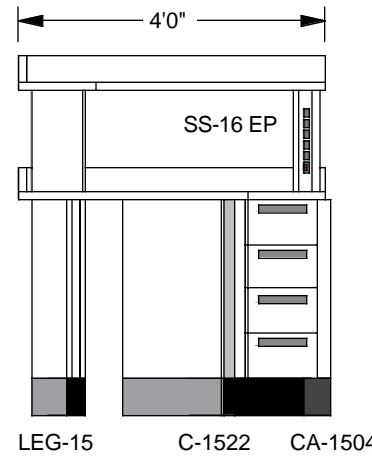
TWS-1000



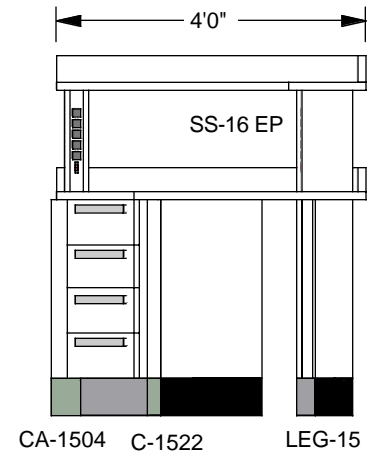
TWS-2700



TWS-2100



TCU-1522



TCU-1522

Corner Unit



WWW.TECLAB.COM