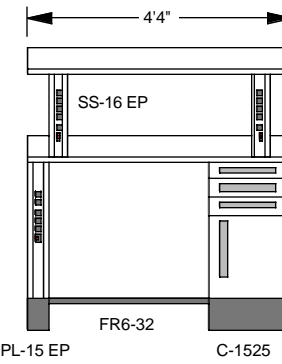
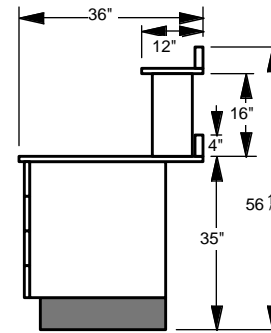
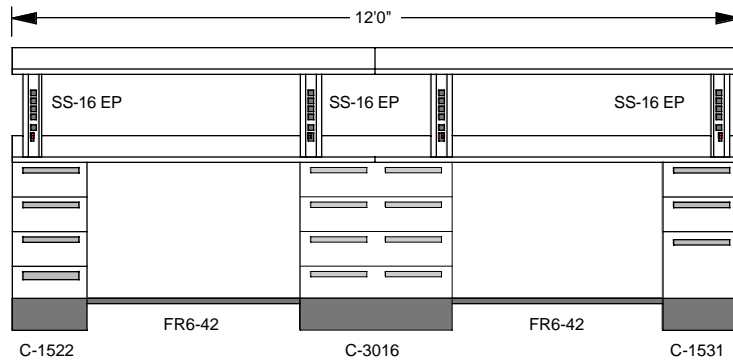


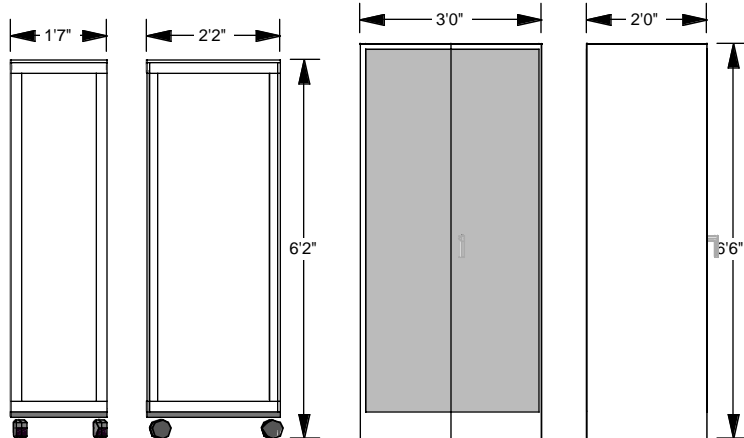
Bench A
2 Required

Bench B
2 Required

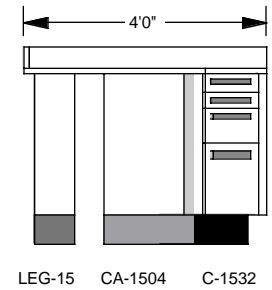
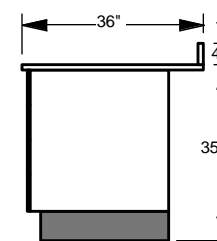


Bench C
2 Required

Bench D
1 Required



Corner Bench E
2 required



Corner Bench F
1 Required

Mobile Rack-Mount Cabinet
6 Required

Storage Cabinet
8 Required